

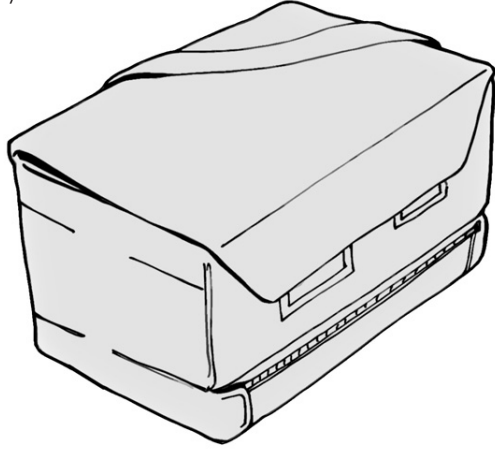
About This Guide

This user guide introduces you to the components and features of your Bag Phone.

Getting Started

The Bag

The Motorola M900 Bag Phone bag contains the bag phone set in a carry-case.



The bag also contains the following items:

- Accessory pouch
- Carry bag strip
- Battery compartment



6889192v43

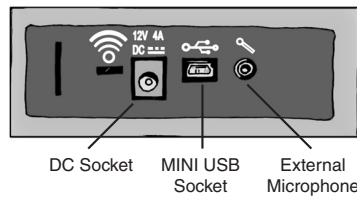
About This Guide **1**

Connector Panel

The connector panel is used to connect various elements to the Phone Bag.

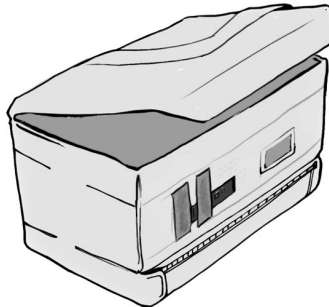
These elements are:

- External DC power source connector
- External Microphone connector
- MINI USB cable connector



The Velcro Straps illustrated in the image below are used to lock the CD power plug in place.

After inserting the DC power cable (CLA adaptor or AC/DC adaptor), the Velcro strap is closed over the plug. This secures the plug and prevents the plug from disengaging.



About This Guide **2**

LED and Buzzer Indicators

The LED and buzzer indicators are used to indicate the status of the battery, and the connection or disconnection of the external microphone or power supply.

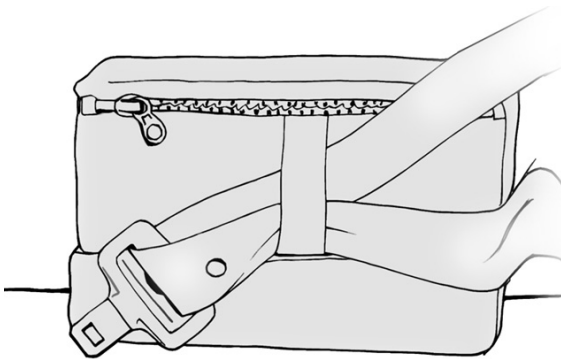


LED status	Description
Steady Green	Working from CLA or AC power supply and not charging.
Blinking Orange and Green	Charging
Blinking Red	Low battery
Blinking Green	Supply voltage from back up battery

About This Guide **3**

Safety Belt

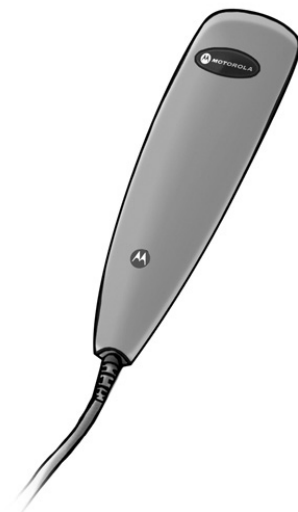
To mount and firmly locate the bag when driving, the bag has two optional seat belt loops through which you can slide and lock your passenger's seat safety belt.



About This Guide **4**

The Handset

The Motorola personal handset enables you to conduct private conversations and use the voice activation dialing (VAD) features. By pressing the button on the internal side of the handset invokes the VAD name and number dialing features.



To use the handset:

1. Pick up the handset.
2. Press the internal button twice for number dialing and once for name dialing.
3. To end a conversation, press the internal button once.

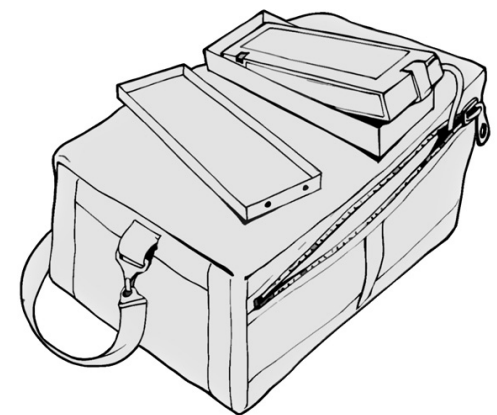
About This Guide **5**

Battery Compartment

The Motorola M900 Bag Phone contains a Battery compartment for the backup battery.

To replace a battery:

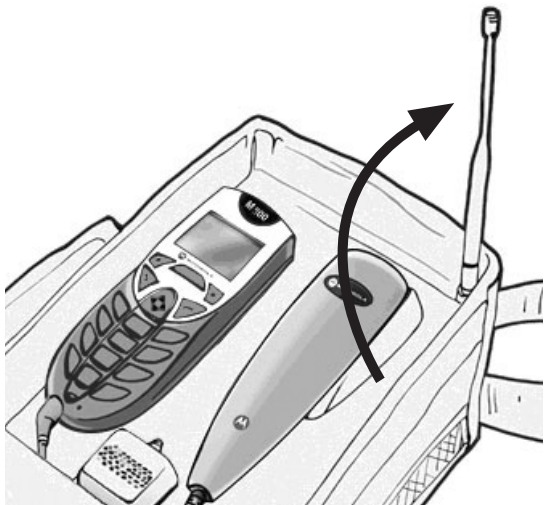
1. Unzip the battery compartment zipper.
2. Pull the battery out of its compartment and then out of its box.
3. Disconnect the battery from its connector.
4. Connect the new battery to the connector and replace it in its box and compartment.
5. Zip the battery compartment zipper.



About This Guide **6**

Swivel Antenna

The Motorola M900 Bag Phone contains a swivel antenna. Before making a call, or when expecting to receive a call, you should set the antenna to a vertical position as outlined in the diagram below.



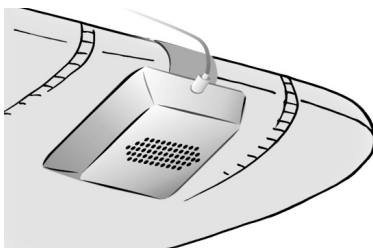
About This Guide **7**

Accessories

External Microphone

The M900 Bag Phone offers an external microphone for use in your car. To connect the external microphone:

1. Connect the microphone plug to the microphone connector located on the front connector panel of the Bag Phone. Place the cable in the Velcro loop to make sure the connector won't come out.
2. Slide the external microphone clip on your driver seat's visor and point the three (3) slots towards the driver. Locate the external microphone away from the car window or from the phone speaker to avoid background noise.



About This Guide **8**

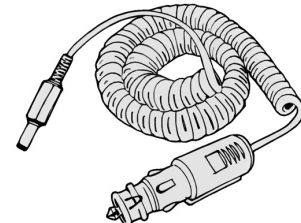
Power Adaptors

The M900 Bag Phone offers two different types of external power connections:

Cigarette Lighter Power Adaptor (CLA).

The CLA power adaptor allows you to connect the M900 Bag Phone to your car's CLA.

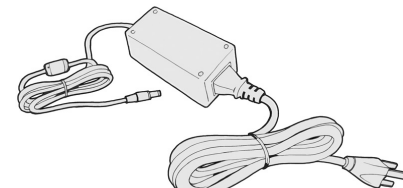
To use the M900 Bag Phone with your car's CLA adaptor, connect the adaptor to the DC socket in the front connector panel. Place the cable in the Velcro loop to make sure the connector DC jack won't come out.



Wall Socket Power Adaptor

The wall socket power adaptor allows you to connect the M900 Bag Phone to your wall socket adaptor.

To use the M900 Bag Phone with your Wall Socket Power Adaptor, connect the adaptor to the DC socket in the front connector panel. Place the cable in the Velcro loop to make sure the connector DC jack won't come out.



About This Guide **9**