



motorola

MOTOROKR™ T505

**Bluetooth® In-Car Speaker
& Digital FM Transmitter**

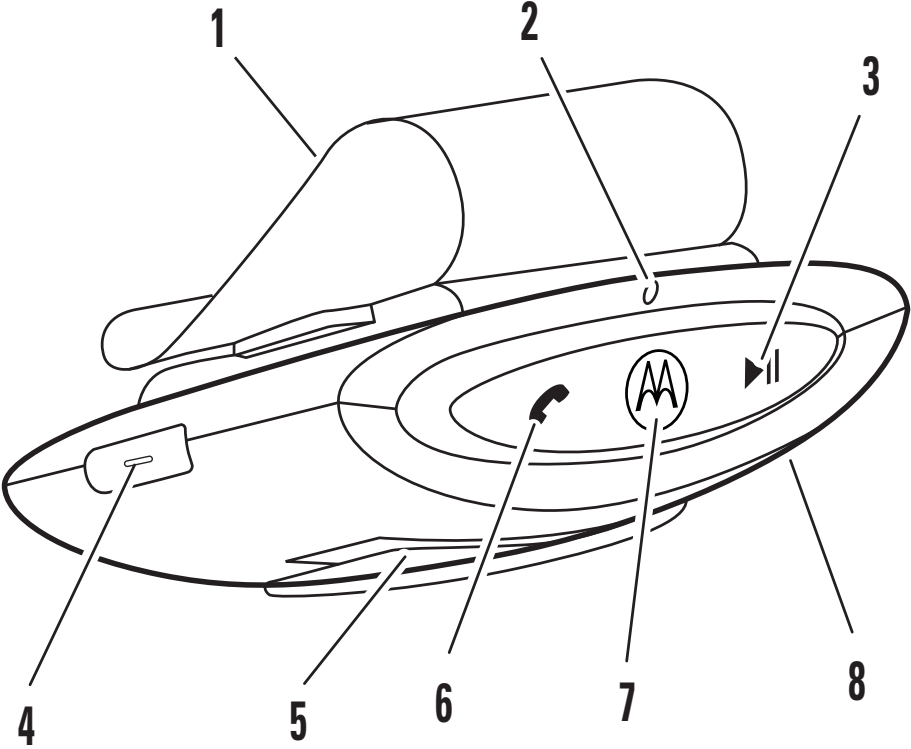


T505

MOTOMANUAL

Figure 1

Front view



Rear view

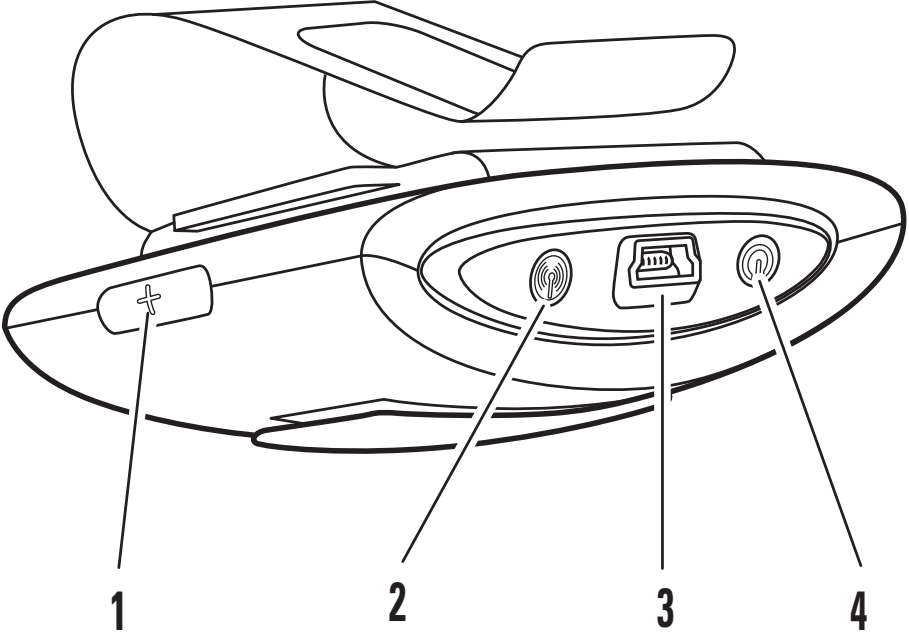


Figure 2

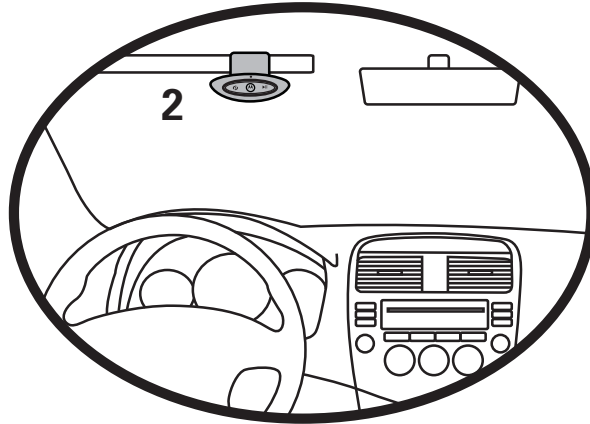
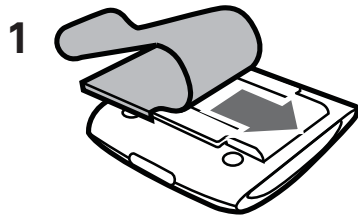


Figure 3

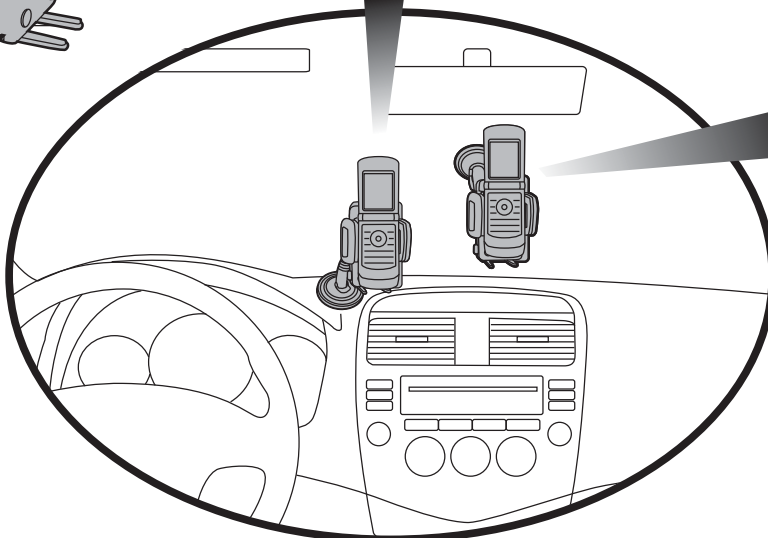
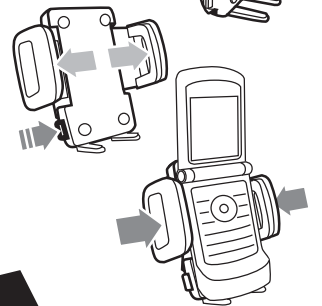
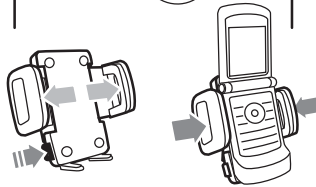
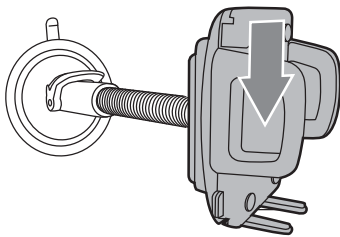
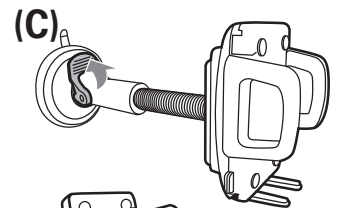
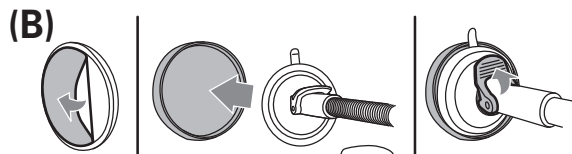
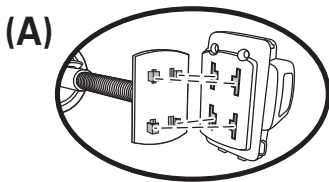
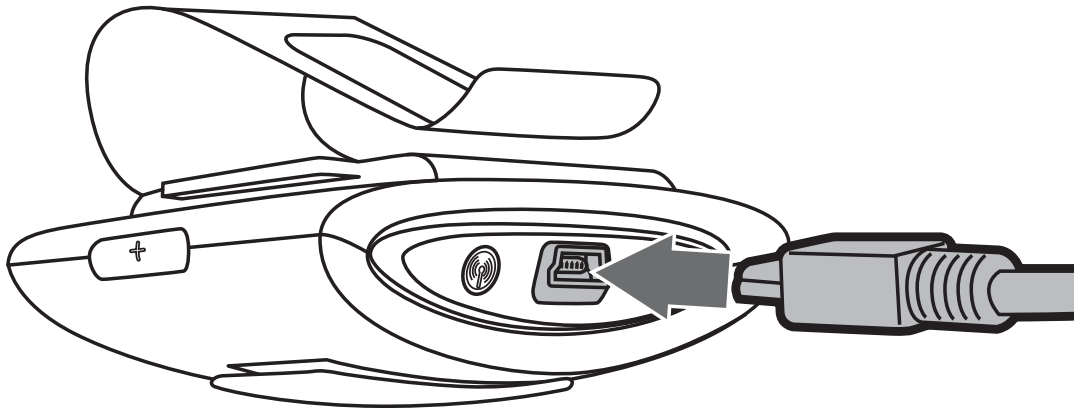


Figure 4



European Union Directives Conformance Statement



Hereby, Motorola Inc., declares that this T505 is in compliance with the essential requirements and other relevant provisions of Directive 1999/5/EC.

You can view your product's Declaration of Conformity (DoC) to Directive 1999/5/EC (the R&TTE Directive) at www.motorola.com/rtte.

At the time of printing, use of FM transmitter portion of this product is restricted in the following countries: **Austria, Bulgaria, Croatia, Cyprus, Czech Republic, France, Greece, Hungary, Ireland, Italy, Latvia, Lithuania, Malta, Moldavia, Montenegro, Netherlands, Poland, Serbia, Slovakia, Slovenia and Turkey.**

Caring for the Environment by Recycling



When you see this symbol on a Motorola product, do not dispose the product with household waste.

Recycling Mobile Phones and Accessories

Do not dispose of mobile phones or electrical accessories, such as chargers or headsets, with your household waste. In some countries or regions, collection systems are set up to handle electrical and electronic waste items. Contact your regional authorities for more details. If collection systems aren't available, return unwanted mobile phones or electrical accessories to any Motorola Approved Service Centre in your region.

FCC Notice to Users

Users are not permitted to make changes or modify the device in any way. Changes or modifications not expressly approved by the party responsible for compliance could void the user's authority to operate the equipment. See-47-CFR-Sec.-15.21.

This device complies with part 15 of the FCC Rules. Operation is subject to the following two conditions: (1) This device may not cause harmful interference, and (2) this device must accept any interference received, including interference that may cause undesired operation. See-47-CFR-Sec.-15.19(3).

Before you begin

Take a moment before you get started to familiarize yourself with your new MOTOROKR™ T505 Bluetooth® In-Car Speaker & Digital FM Transmitter.

See figure 1 on page 1.

Front view

- 1 Visor Clip
- 2 Microphone
- 3 Play/Pause Button
- 4 Volume Down Button
- 5 Speaker
- 6 Call Button
- 7 Main Indicator Light
- 8 FM Indicator Light (on bottom)

Rear view

- 1 Volume Up Button
- 2 FM Button
- 3 Charging Port
- 4 Power Button

At the time of printing, use of FM transmitter portion of this product is restricted in the following countries: **Austria, Bulgaria, Croatia, Cyprus, Czech Republic, France, Greece, Hungary, Ireland, Italy, Latvia, Lithuania, Malta, Moldavia, Montenegro, Netherlands, Poland, Serbia, Slovakia, Slovenia and Turkey.**

Hands-free call audio broadcast to your FM radio using the transmitter feature can potentially be picked up by another radio in close proximity. Call audio heard on the internal speaker is not impacted.

Installing in car

See figure 2 on page 2

To install the T505 in your car, first slide metal visor clip onto T505, then secure T505 to the sun visor in your car.

Tip: The visor clip attaches to your T505 in both directions. Slide the clip in the direction of the embossed arrow on the clip. While you may reverse the direction of the clip if you prefer, the Call Button should always be facing towards you.

IMPORTANT: Your T505 should not be left in the heat of an unattended vehicle for an extended period of time.

You can also secure your phone in your car with the included universal phone holder.

See figure 3 on page 2

- 1 Place four legs into the slots on the holder and slide down to lock into place as shown by (A).
- 2 Secure extension arm to car as follows:
 - **To secure to dashboard**, affix the enclosed circular disc to your dash and attach the suction cup on the extension arm to the disc (push down on lever) as shown by (B).
 - **To secure to windshield**, attach suction cup on the extension arm to the windshield (push down on lever) as shown by (C).
- 3 Place your phone in the phone holder and squeeze the sides together. To release your phone from the holder, push button on left side.
 - If your phone is wide, insert one side of the phone first, then gently press the other side into place so that the foam pads are not damaged.
 - If the sides of the phone holder block buttons on the side of your phone, remove the L-shaped legs and insert into the groove on the opposite side of the phone holder.

Charging battery

See figure 4 on page 3

The main indicator light turns red or yellow when the battery is charging. It may take up to 1 minute for the indicator light to turn on. When the T505's battery is close to fully charged (about 5 hours), the indicator light turns green.

Note: Your T505 is operational while charging; however, it is not recommended to charge your T505 while clipped to your sun visor.

Turning On and Off

To turn your T505 on, press and hold the Power button until you hear an ascending tone sequence, and the main indicator light flashes blue three times.

To turn your T505 off, press and hold the Power button until you hear descending tone sequence, and the main indicator light flashes blue three times.

Your T505 automatically powers down when not connected to a Bluetooth device for 30 consecutive minutes.

Configuring your MOTOROKR T505

Your MOTOROKR T505 uses a default set of configuration settings. You may change the default settings at anytime. To modify T505 configuration settings, enter setup mode by pressing and holding the Call button while powering up. The main indicator is steadily lit in green to indicate your T505 is in setup mode. There are four configurable settings in your T505 (default setting in italics).

1 Voice prompt language

Description: Set language for voice prompts

Options: *English*, French, Spanish, German, Italian.

2 Caller ID

Description: Hear the phone number of the incoming caller

Options: *On* or Off

3 Voice prompt type

Description: Replace spoken prompts with tones (FM stations are always spoken)

Options: *On* or Off

4 Voice prompt volume

Description: Adjust the loudness of the voice prompts (or tones)

Options: Seven volume levels

For each setting, press the Volume up and down keys to select a different option. To make a selection, press the Play/Pause key. The main indicator light flashes green to confirm your selection.

Upon completing configuration, your T505 plays power up tones and enters the standard power up sequence.

If you fail to complete all four customization settings, your T505 will not save your changes.

Pairing your MOTOROKR T505

Before you can use your MOTOROKR T505, you must pair (link) it with your Bluetooth device.

Step A – Ensure T505 is in pairing mode

- 1 Verify any Bluetooth devices previously paired with your T505 are turned off.
- 2 Power on your T505 by pressing and holding the Power button for approximately three seconds. The main indicator light flashes and you hear an audible tone sequence to indicate the device is powered on.

After a few moments, the main indicator light will be steadily lit to indicate T505 is in pairing mode.

Step B – Turn on bluetooth feature on your device

To use your MOTOROKR T505, you must turn on the Bluetooth feature in your phone or music device.

Step C – Set your device to look for your T505

- Perform a device discovery from your phone or music device.
Refer to your device's manual for detailed instructions on accessing Bluetooth and placing it in device discovery mode
- Select **Motorola T505** in the list of discovered devices and confirm by following the on-screen prompts.
- When prompted by the phone, enter the passkey **0000** and confirm.

When your T505 successfully pairs and connects with your phone or music device, the main indicator light flashes purple and blue.

Test and use

Your MOTOROKR T505 and phone or music device are now paired and connected. Do the following to verify proper operation:

- **To verify handsfree calling operation**, dial the number you want to call on the phone and confirm. If your phone and T505 are successfully paired, you will hear ringing on your T505.
- **To verify streaming audio operation**, play music on your portable Bluetooth music device. If your music source and T505 are successfully paired and connected for streaming music, you hear music on your T505.

After you have successfully set up your MOTOROKR T505, you don't need to repeat these steps.

For daily use, ensure that your T505 is turned ON and your phone and/or music device's Bluetooth feature is ON.

Note: If your T505 remains in an idle state (not connected to a Bluetooth device) for 15 minutes, it stops searching for the last connected device. When this occurs, you can manually initiate a search (or "page") for the last connected device by tapping the Call button.

Making calls

Your T505 supports both Hands-free and Headset Profiles. Accessing call functions depends upon which profile your phone supports. See your phone's user's guide for more information. Some features are phone/network dependent.

Function	Action
Answer a call	Tap the Call button and talk after second tone
End a call	Tap the Call button
Reject a call	Tap either Volume button
Redial last call	Press and hold the Call button for at least 2 seconds until you hear a voice prompt
Make a voice dial call	Tap the Call button and speak the name after the tone
Answer a second incoming call	Press and hold the Call button (places first call on hold)
Toggle between two calls	Press and hold the Call button
Transfer call audio to your phone	Press and hold Power button (to turn off T505)
Mute or unmute a call	Tap Play/Pause button

If your T505 remains in an idle state for 30 minutes, it will automatically turn off. When this occurs, turn on your T505 to connect to your device.

Using with your FM car radio

When your MOTOROKR T505 is connected and operating with your phone and/or music device, you can route call and music audio to your car's FM radio. To hear calls and streaming music over your FM car radio:

- 1 Press FM button on rear of your T505. The FM indicator light initially flashes in white, then turns solid white and announces the previously used frequency when ready.
- 2 Turn on your car's FM radio and tune to the station (frequency) announced during step 1 above. Audio from calls and streaming music is broadcast on your FM radio.

To turn off FM broadcast and use your T505's speaker for audio, press and hold FM button until the FM indicator light turns off.

The FM transmitter automatically powers off if idle for 10 minutes.

Setting FM station using StationFinder™

Upon turning on FM broadcast, your T505 transmits call and music audio on the last selected station frequency. When audio performance is unsatisfactory, you may desire to select another transmit frequency.

To search for another station to broadcast call and music audio:

- 1 Press FM button. Your T505 searches for the best station available. While searching, call audio is muted and music audio is paused. When a station is found, it is announced twice, and call/music audio is broadcast to that station.
- 2 Tune your FM radio to the announced station. If station works well, press and hold both Play/Pause and FM buttons to save as a **preferred** station. Preferred stations are given priority during future searches.

Note: Up to 5 preferred stations can be saved on your T505. When storing additional preferred stations, the oldest station in the existing list will be replaced.

- 3 To continue searching, repeat steps 1 and 2 until you find a satisfactory station.

When turned off, your T505's FM transmitter remembers the last station used, and begins with that station when you turn it back on.

As your environment changes (i.e. driving around a building, entering a city, etc.), the audio quality over FM may begin to degrade. This may occur more frequently in urban areas. If this occurs, perform steps 1 and 2 until you find a station with satisfactory audio quality.

Using FM broadcast

Function	Action
Turn on FM broadcast	Tap FM button
Search for new station	Tap FM button
Set a preferred station	Press and hold both Play/Pause and FM buttons
Turn off FM broadcast	Press and hold FM button until FM indicator light turns off

Listening to music

When using FM Broadcast :

Function	Action
Play/Pause music	Tap Play/Pause button
Skip to next track	Tap Volume Up button
Skip to previous track	Tap Volume Down button

When using T505 Internal Speaker :

Function	Action
Play/Pause music	Tap Play/Pause button
Increase volume	Tap Volume Up button
Decrease volume	Tap Volume Down button

Indicator lights**FM indicator light**

Indicator	Status
Off	FM transmitter off
On	FM transmitter on

Note: After 10 minutes of inactivity, the FM transmitter automatically powers down and the indicator light turns off.

When T505 Off and Charger Plugged in :

Indicator	Status
Red	Charging (battery level less than 80% charge)
Yellow	Charging (battery level more than 80% charge)
Green	Charging complete

When T505 On :

Indicator	Status
Steady green	Setup menu active
Steady blue	Pairing mode
Rapid blue/purple flashes	Pairing successful
Slow green pulse	Music streaming
Quick blue flash	Incoming/outgoing call
Slow blue pulse	Connected (on a call)/Standby (not on a call)
Slow red pulse	Idle (not connected to Bluetooth device)
Slow purple pulse	Connected call muted
Quick red flash	Low battery

Note: After 20 minutes on a call or of inactivity, the indicator light stops flashing to conserve power (but the T505 remains on).

Audio Tones

Audio Tone	Status
Rapid ascending tone	Powering on
Rapid descending tones	Powering off
4 ascending tones	Charger connected
4 descending tones	Charger disconnected
Single tone	Connected/disconnected call
2 short tones when pressing Volume button	Volume at minimum or maximum
2 rapid ascending tones	Connect successful/FM transmitter on/ set preferred station/Mute enabled
2 rapid descending tones	Mute disabled
High/low tones repeated every 60 sec.	Low battery
No audio indications ; deteriorating quality	Out of range

Advanced features

When T505 turned On :

Function	Action
Enter pairing mode	Press and hold both Volume buttons for 5 seconds
Reset station finder	Press and hold FM button to turn on FM transmitter

When T505 turned Off :

Function	Action
Enter Setup mode	Press and hold both Call and Power buttons for 5 seconds
Exit Setup mode	Tap Power button
Clear Bluetooth device list	Press and hold both Volume Down and Power buttons for 5 seconds
Reset to factory default condition (and clears preferred FM stations)	Press and hold both Volum Up and Power buttons for 5 seconds

Troubleshooting

My MOTOROKR T505 will not enter pairing mode.

Make sure that any devices previously paired with the T505 are turned off. If the main indicator light is pulsing in blue, first turn off the other device, then turn your T505 off and on. The main indicator light becomes steadily lit in blue indicating the T505 is now in pairing mode.

My phone/music device doesn't find my MOTOROKR T505.

Make sure the indicator light on your T505 is on (lit in blue) and steady when your phone/music device is searching for devices.

My MOTOROKR T505 worked before but now it's not working.

Make sure your phone/music device is on and the Bluetooth feature is turned on in your device. If the Bluetooth feature was turned off or was turned on only temporarily, you may need to restart the Bluetooth feature and pair your device and T505 again.

If you have any additional questions, please call your hotline number (0870-9010-555) or visit us at www.hellomoto.com.



motorola

MOTOROKR™ T505

**Bluetooth® In-Car Speaker
& Digital FM Transmitter**

motorola.com

MOTOROLA and the Stylized M Logo are registered in the US Patent & Trademark Office. All other product or service names are the property of their respective owners. The Bluetooth trademark and logos are owned by the Bluetooth SIG, Inc. and any use of such marks by Motorola, Inc. is under license. © 2007 Motorola, Inc. All rights reserved.