



SE-2000

MPEG-2 Standard Definition Encoder



High Quality Standard Definition Encoder for Programmers, Cable and Broadcast Applications

Highlights Include:

- 1 RU form factor
- Analog or digital input
- DHEI, 10/100/1000Base-T Ethernet or DVB-ASI output
- Simple, front panel control or SNMP Ethernet control and monitoring (when using Motorola BNC)
- 4:2:0 or 4:2:2 video encoding modes
- Dolby® brand AC3 and MPEG layer II audio coding support
- Motorola PurePixel™ processing dual-pass encoding capability
- DVB SI and Teletext compliant
- Statistical multiplexing capability (when using Motorola TMX-2010/BNC)
- NiM Encoder redundancy (when using Motorola TMX-2010/BNC)

For more information regarding any of these features contact your Motorola sales representative.

The Motorola SE-2000 digital video encoder provides Motorola's sixth generation video compression technology in a compact chassis that is ideally suited for programmer satellite uplinks, cable headend, and small broadcast applications. The SE-2000 digital encoder accepts either analog composite or digital CCIR-601 video and performs MPEG-2 compression utilizing Motorola's PurePixel™ processing algorithms, providing very high video quality at low bit rates. Video compression uses I-frame refresh to facilitate seamless MPEG-2 stream splicing. The video compression data rate is controlled by a simple front panel interface or through the Ethernet port via SNMP. Two stereo audio channels are compressed with either Dolby brand AC3 or MPEG layer II encoding.

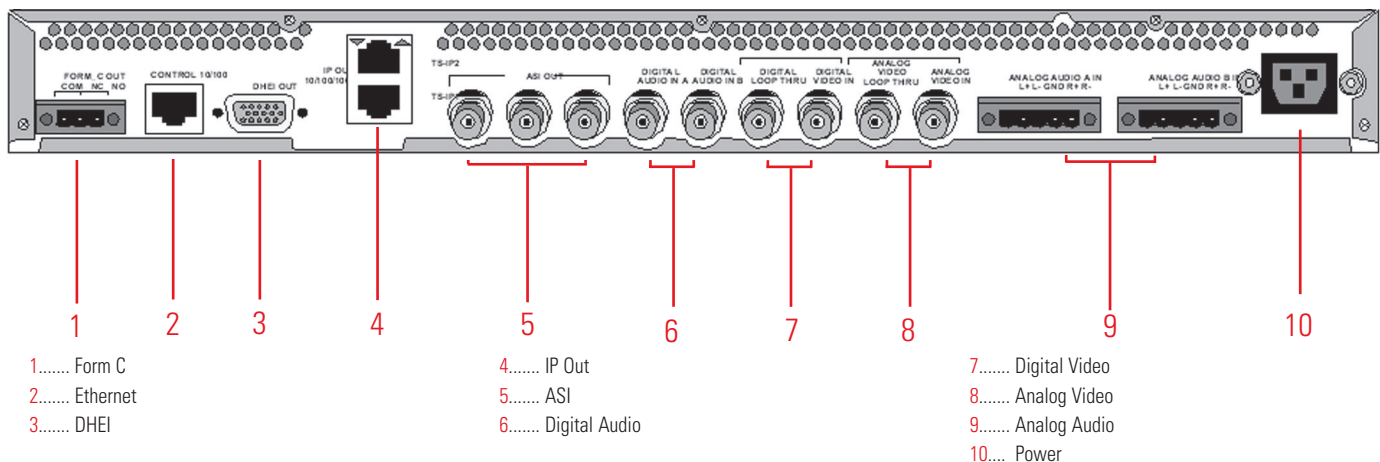
The Motorola SE-2000 provides three types of outputs; DVB-ASI, 10/100/1000Base-T Ethernet and digital headend expansion interface (DHEI) for easy interoperability with cable headends and broadcast equipment.

The Motorola SE-2000 is MPEG-2 and DVB compliant and an integrated part of Motorola's modular uplink system.

SPECIFICATION SHEET

SE-2000

TECHNICAL SPECIFICATIONS		Analog Video Input	
Video Processing		Signal:	Analog composite per RS-170A and CCIR624-4, NTSC-525 and PAL-625
Mode	NTSC, analog composite PAL, analog composite CCIR601	Connector:	BNC, female
Resolutions:	720 x 480 704 x 480 544 x 480 528 x 480 480 x 480 352 x 480 720 x 576 704 x 576 544 x 576 528 x 576 480 x 576 352 x 576 720 x 512 (4:2:2 only) 720 x 608 (4:2:2 only)	Number:	2 (one loop-through)
Compression Rates:	0.1, 0.2 (still frame) 1.0 to 15.0 Mbps (4:2:0) 1.0 to 45.0 Mbps (4:2:2)	Digital Audio Input	
Audio Processing		Signal:	AES3
Mode:	Dolby Digital AC-3 audio standard Pre-compressed MPEG layer II	Connector:	BNC; female
Audio Compression Rates:	96, 112, 128, 160, 192, 224, 256, 320, 384, 448*, 512*, 576*, 640* kbps (*AC3 only)	Number:	2
Sampling Rates:	44.1 or 48 Ksps	Digital Audio Input (embedded)	
Inputs:	2 Stereo AES/EBU digital inputs 2 HD-SDI-embedded inputs	Signal:	AES/EBU
Transport Output		Connector:	Via digital video input
DVB-ASI:	(3) BNC, female	Number:	2
DHEI (29.26 MHz):	HD-15, male	Analog Audio Input	
10/100/1000Base-T Ethernet:	(2) RJ-45, female	Connector:	Terminal block (balanced; L1 ±, R1 ±, GND1, L2 ±, R2 ±, GND2)
Digital Video Input		Impedance:	600 Ω
Signal:	Serial digital 4:2:2 per SMPTE-259M/SMPTE-125M	Number:	2
Connector:	BNC, female	Control and Status	
Number:	2 (one active loopthrough)	Type:	Front panel, form C and 10/100BaseT Ethernet (SNMP)
Physical		Other	
Width:	18.97" (48cm)	Limited Warranty:	One year
Depth:	19.9" (51cm)		
Height:	1RU, 1.73" (4.4cm)		
Weight:	15.5 lb		
Power:	115-230VAC, @1A (max)		



Motorola, Inc. Home & Networks Mobility
6450 Sequence Drive, San Diego, California 92121 U.S.A.
www.motorola.com/ipvideo 858-578-2222



MOTOROLA and the Stylized M Logo are registered in the U.S. Patent and Trademark Office. DigiCipher and PurePixel are trademarks of General Instrument Corporation. Dolby is a registered trademark of Dolby Laboratories. Dolby Digital is manufactured under license from Dolby Laboratories. DVB is a registered trademark of the DV Digital Broadcasting Project. All other product or service names are the property of their registered owners. © Motorola, Inc. 2009 All rights reserved. Features and functions subject to change without notice. 5562-0409-0K